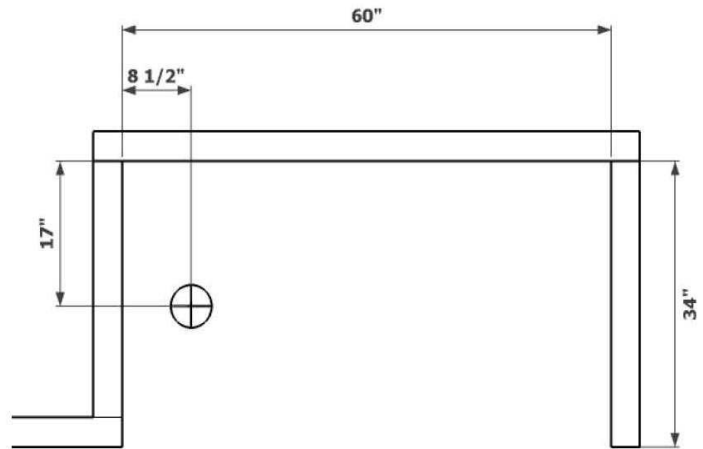


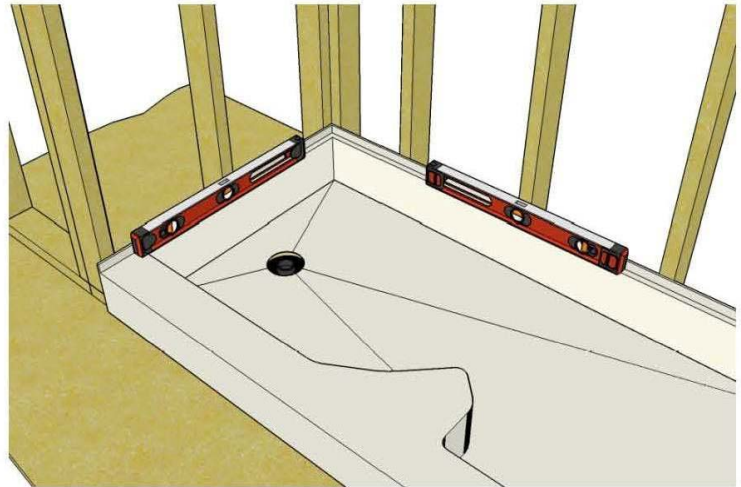
Tub & Shower Replacement Kit Installation Instructions

The Sierra Glass Block Acrylic Shower Pan is designed to fit into the space usually reserved for a standard bathtub, making the Acrylic Shower Pan perfect for new construction or for remodeling projects where a 60" x 34" bathtub already exists.

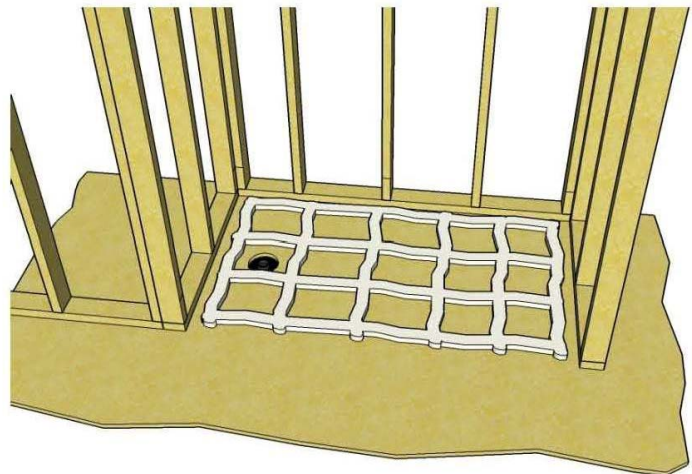
Note: Your drain location must match what is shown here for this pan to fit properly. You must have a 5" diameter hole in your subfloor with a 2" drain pipe centered in the opening and cut off at 1" above subfloor.



- Ensure that the floor and stud walls are square and plumb
- A 5" diameter hole must be cut around drain pipe in order for the included drain to fit properly
- Dry-fit Acrylic Shower Pan in opening
- Make sure that the drain pipe lines up with the drain hole of the shower base
- After leveling base on sub floor (use shims if necessary), draw a line on the studs at the top edge of the shower base flange. This will be the installed height of the shower base

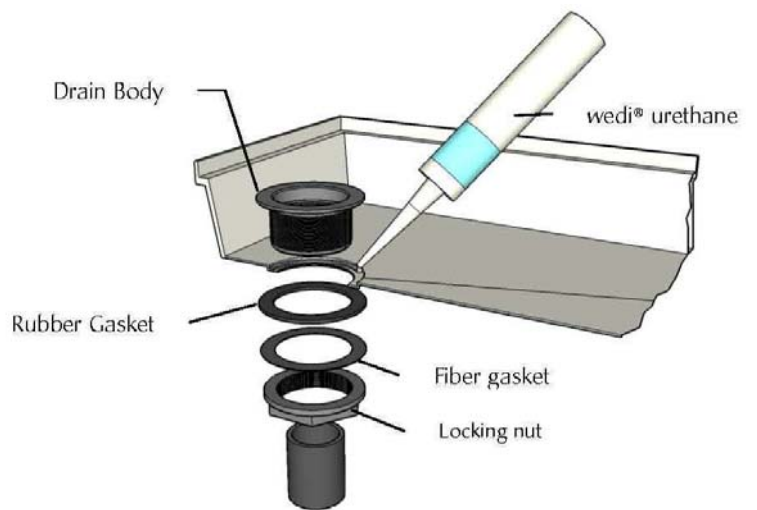


- Remove shower base
- Apply 2-1/2" thick, 12" x 12" or smaller grid of mortar the full length and width of the shower base
- Make sure there is no mortar under the apron (edge) of the pan

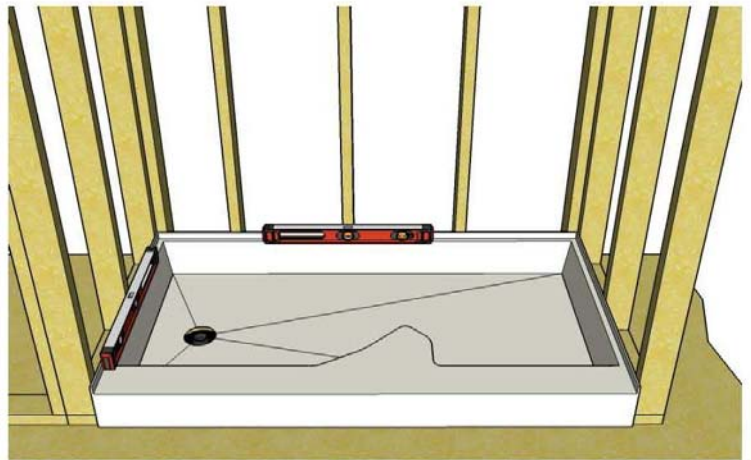


Sierra
Glass
Block

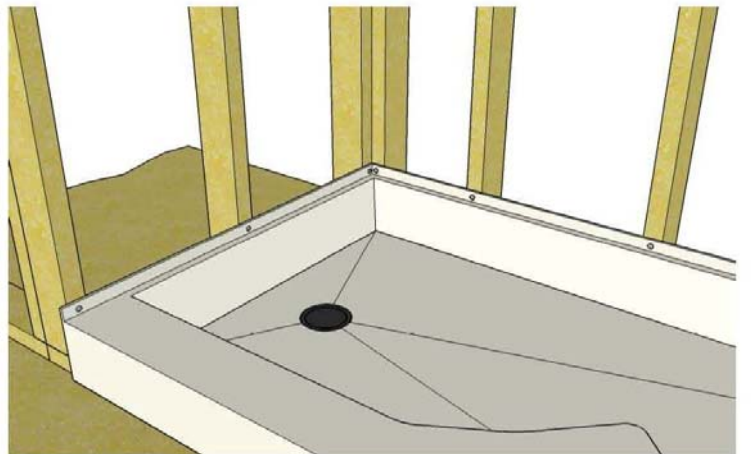
- Apply a bead of wedi® urethane on flange where drain body will meet shower pan
- Attach drain body per diagram



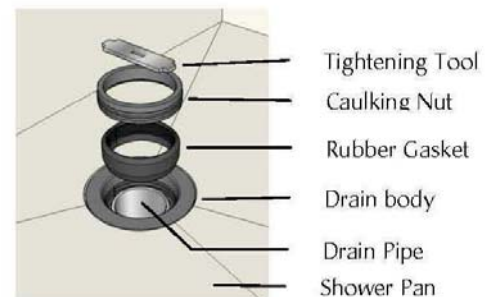
- Set pan into space
- Rock the pan slightly to work into mortar and to line pan up with penciled lines on studs
- Make sure that the pan apron contacts the floor around the entire edge. If shims were used, re-install them
- Ensure that the base is level in two directions and against the stud framing
- NOTE: Allow the bedding mortar to completely harden before applying weight to bottom of the shower base



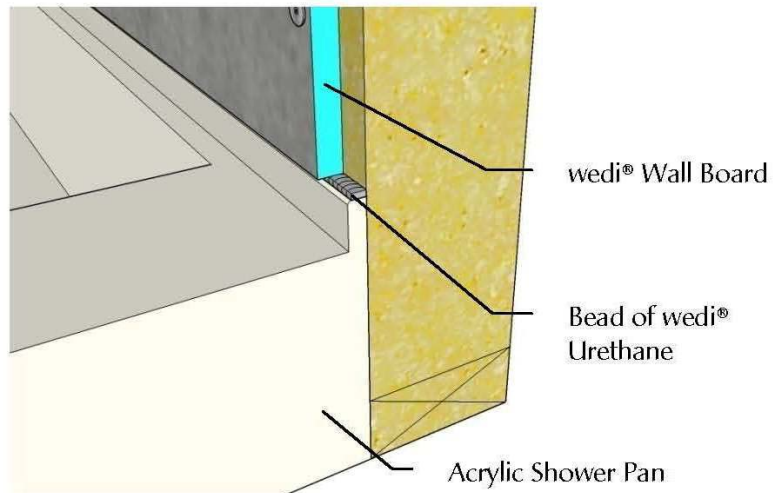
- Drill 1/8" holes through the shower base flange at all stud locations
- Secure the base to the studs with 1-1/2" roofing nails



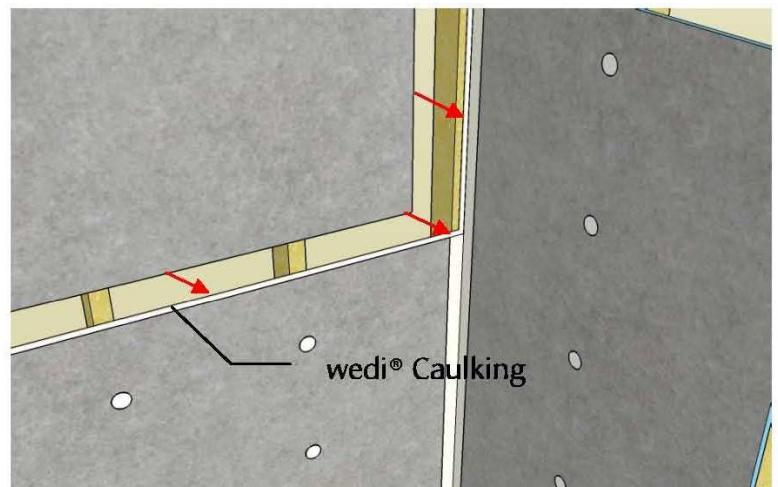
- Place rubber drain gasket onto 2" drain pipe
- Insert threaded caulking nut and tighten using supplied metal tool and a standard screw driver



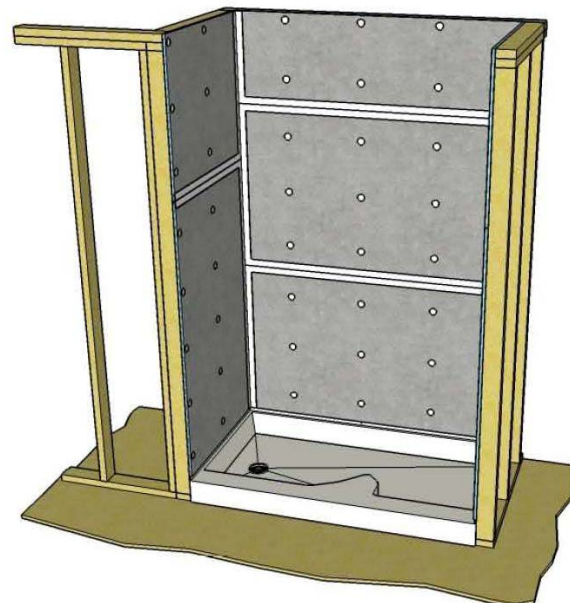
- Apply a generous and continuous bead of wedi® urethane caulking to the top edge of the shower pan flange
- Press wallboard firmly into bead of caulking to ensure a waterproof joint between shower pan and bottom of wallboard



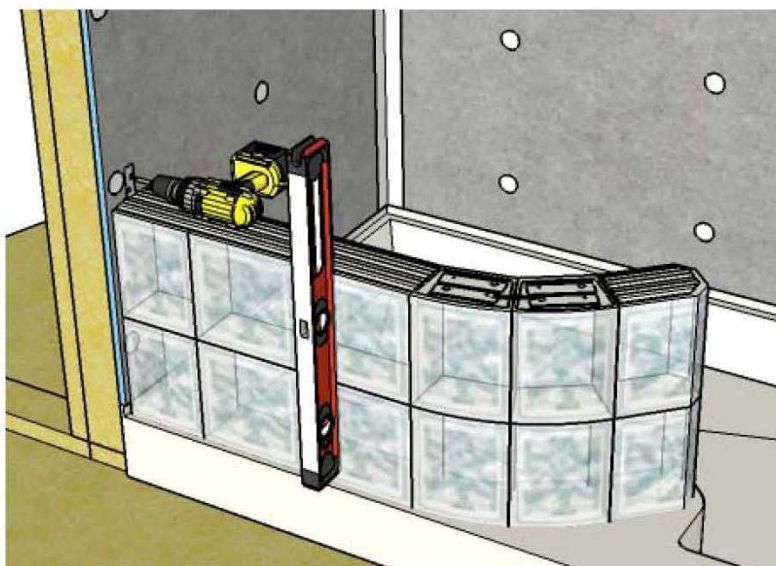
- Fasten wallboard to studs with 1-1/4" wedi® tab washers and screws every 12" on standard 16" on center stud spacing
- Apply a generous, continuous bead of caulking along the edge of the first pieces of wallboard
- Press wallboard firmly into bead of caulking to form a watertight butt-joint between the boards



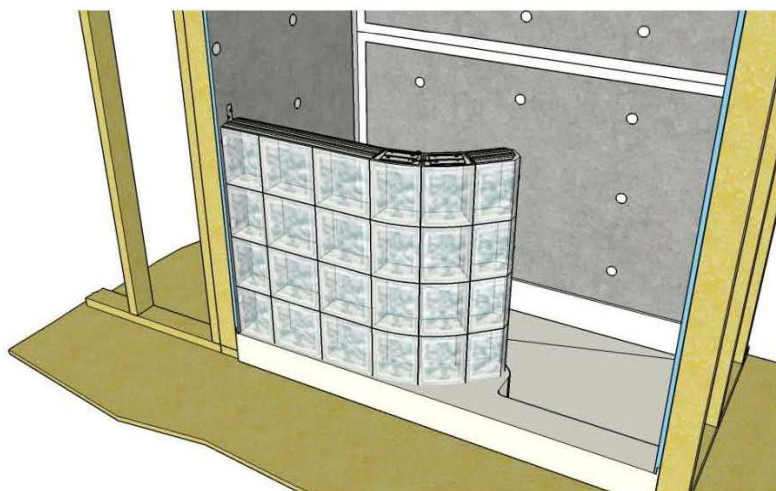
- Install remaining wallboard, applying a continuous bead of urethane sealant at all seams and covering all tab washers per manufacturer's instructions
- Use a putty knife to tool caulking at seams and screw locations
- Make sure you always apply caulking **generously** to ensure a proper seal



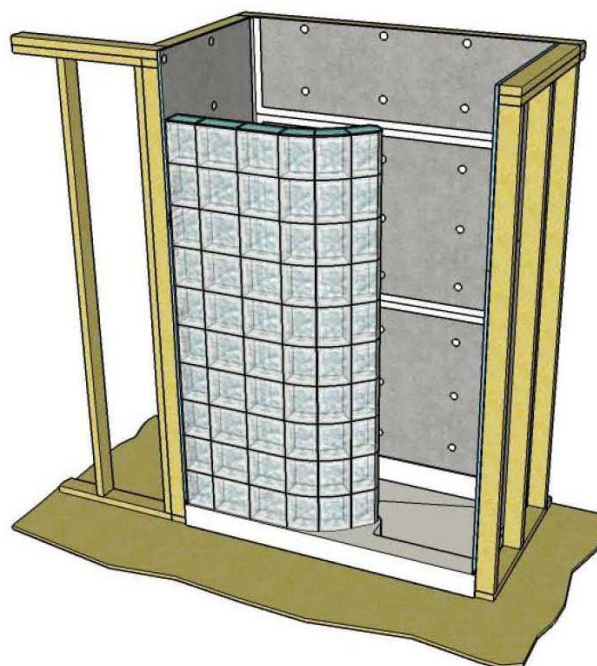
- Run a continuous 1/4" bead of glass block silicone at the centerline of where the panel will sit on the curb, and a bead of silicone up the jamb to the height of the base panel
- Insert a panel anchor into the top spacer on each modular wall section except for the top panel
- Set base panel on curb and push against the wall until it is the desired distance from the wall
- Plumb and level the base panel and drive a screw through the upper hole of the anchor



- Apply two beads of silicone to the top of the spacer on the base panel and a bead of silicone up the jamb to the height of the second panel
- Place second panel on top of first panel and push into the wall until the vertical joints line up
- Plumb and anchor as before
- Repeat previous step for the fourth and fifth panels
- The top panel will not be able to be anchored and will rely on silicone at the jamb and between the panels to be secured into place



- Apply grout to all joints making sure to completely fill all voids while encouraging grout to push into the seams in the spacing system
- DO NOT apply grout between the glass block and the jamb and the glass block and the Acrylic Shower Pan
- Wipe grout joints using clean water and tile sponge
- Wipe sponge diagonally across the grout joints until smooth
- Repeat process with clean water by slowly wiping joints and rinsing sponge after each pass
- Grout will begin to cure with 45–90 minutes depending on room temperature



CUSTOMER NAME:	PHONE:	EXT.
CONTACT:	FAX:	
ORDER DATE:	EMAIL:	
P. O. NUMBER:	REQUESTED SHIP METHOD:	
SHIP TO:	SPECIAL INSTRUCTIONS:	

QUANTITY	PAN ENTRY	ITEM #	PAN COLOR	BLOCK PATTERN	STYLE CAP COLOR	GROUT COLOR
	<input type="checkbox"/> LEFT <input type="checkbox"/> RIGHT	<input type="checkbox"/> MSS-70-LE <input type="checkbox"/> MSS-70-LES <input type="checkbox"/> MSS-70-RE <input type="checkbox"/> MSS-70-RES <input type="checkbox"/> MSS-72-LE <input type="checkbox"/> MSS-72-LES <input type="checkbox"/> MSS-72-RE <input type="checkbox"/> MSS-72-RES <input type="checkbox"/> MSS-78-LE <input type="checkbox"/> MSS-78-LES <input type="checkbox"/> MSS-78-RE <input type="checkbox"/> MSS-78-RES <input type="checkbox"/> MSS-80-LE <input type="checkbox"/> MSS-80-LES <input type="checkbox"/> MSS-80-RE <input type="checkbox"/> MSS-80-RES	<input type="checkbox"/> WHITE <input type="checkbox"/> BISCUIT <input type="checkbox"/> READY 4 TILE	<input type="checkbox"/> DECORA <input type="checkbox"/> ICESCAPES	<input type="checkbox"/> BISCUIT <input type="checkbox"/> GLASS HUE <input type="checkbox"/> SNOW WHITE	<input type="checkbox"/> BISCUIT <input type="checkbox"/> WHITE
QUANTITY	PAN ENTRY	ITEM #	PAN COLOR	BLOCK PATTERN	STYLE CAP COLOR	GROUT COLOR
	<input type="checkbox"/> LEFT <input type="checkbox"/> RIGHT	<input type="checkbox"/> MSS-70-LE <input type="checkbox"/> MSS-70-LES <input type="checkbox"/> MSS-70-RE <input type="checkbox"/> MSS-70-RES <input type="checkbox"/> MSS-72-LE <input type="checkbox"/> MSS-72-LES <input type="checkbox"/> MSS-72-RE <input type="checkbox"/> MSS-72-RES <input type="checkbox"/> MSS-78-LE <input type="checkbox"/> MSS-78-LES <input type="checkbox"/> MSS-78-RE <input type="checkbox"/> MSS-78-RES <input type="checkbox"/> MSS-80-LE <input type="checkbox"/> MSS-80-LES <input type="checkbox"/> MSS-80-RE <input type="checkbox"/> MSS-80-RES	<input type="checkbox"/> WHITE <input type="checkbox"/> BISCUIT <input type="checkbox"/> READY 4 TILE	<input type="checkbox"/> DECORA <input type="checkbox"/> ICESCAPES	<input type="checkbox"/> BISCUIT <input type="checkbox"/> GLASS HUE <input type="checkbox"/> SNOW WHITE	<input type="checkbox"/> BISCUIT <input type="checkbox"/> WHITE