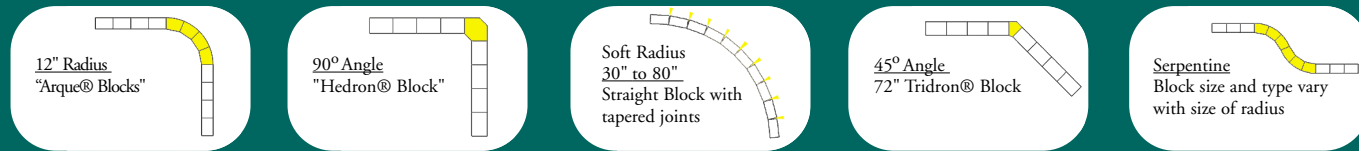
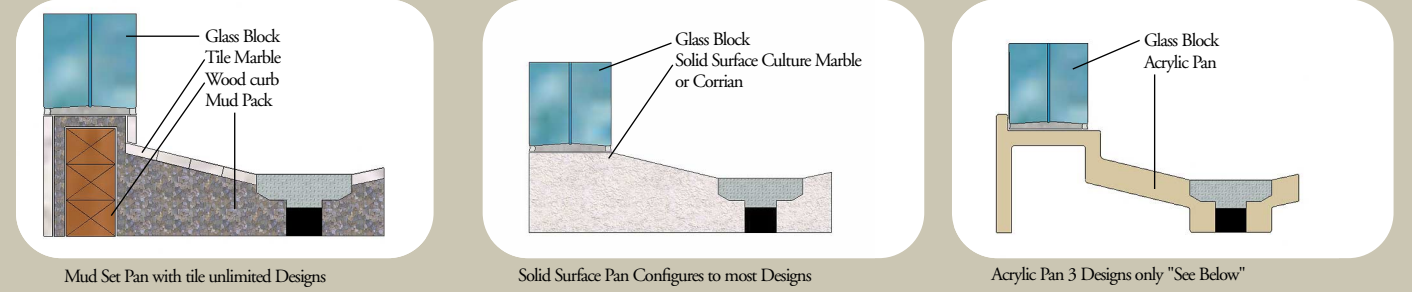


Endless Shapes For Any Configuration



Shower Pan And Curb Detail Options



Most Frequently Asked Questions

Q: How large of an area do I need for a doorless shower?

A: standard 5' x 3' space is adequate. A rule of thumb is to locate the entry 3-4 feet from the showerhead.

Q: What is the average cost for a glass block shower?

A: walk-in (doorless) showers commonly range between \$1200 - \$1800 installed. This price excludes the shower pan and wall finish work, which are normally completed by your Tile contractor.

Q: Are the glass and grout difficult to clean?

A: No, our grout finish includes an acrylic latex sealer to block moisture. We also sell surface sealers for both grout and glass that make periodic cleaning much easier.

Q: Is special framing required to support the glass block?

A: No, glass block walls are approximately 100 lbs. per lineal foot. Bathroom floors are already constructed to handle a filled bathtub, which weighs substantially more.

Q: What are my options for the shower pan?

A: Traditionally, a mortar-set pan is constructed by the tile setter and finished with tile, marble, or granite. Solid surface options such as Cultured Marble or Corian are also available, as well as 3 specific designs of preformed acrylic pans.

Q: At what stage of construction is the glass block installed?

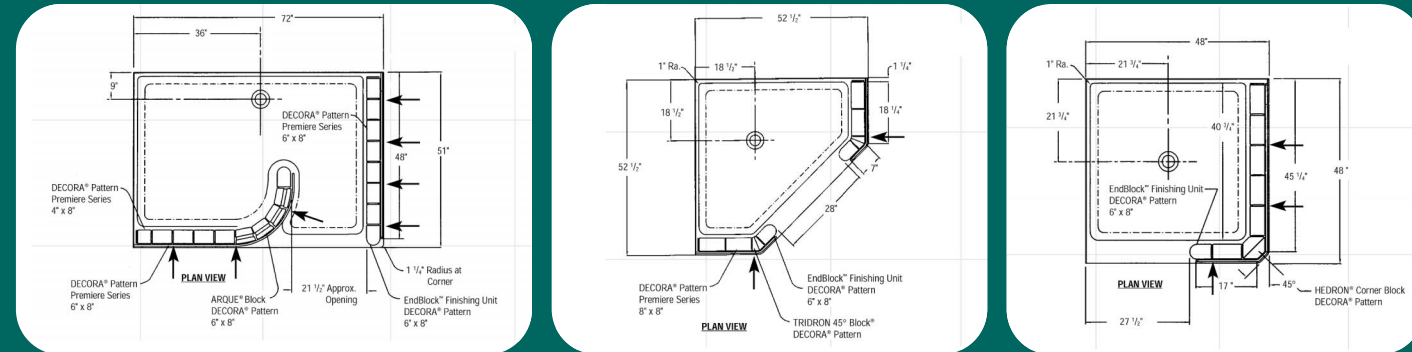
A: Ideally, when the shower pan is waterproofed and wallboard is in place. See our website for more detailed information.

Acrylic Pans For Glass Block from Pittsburgh Corning

Walk-In Shower Floor Plan (Left Entry Available)

Neo-Angle Shower Floor Plan

Classic Shower Floor Plan



Finish Options for Endwall Conditions

EndBlock® and Encurve® finished blocks

Style Cap Glass tiles 12 colors available



Maintenance Products

Aquapel Glass Sealer

Grout Lacquer Surface Sealer



All Trademarks used in publication are property of Pittsburgh Corning Corporation



www.hawaiiglassblock.com

284 Kalihi Street
Honolulu, Hawaii 96819
Phone- 808-841-2565
Fax- 808-841-0686

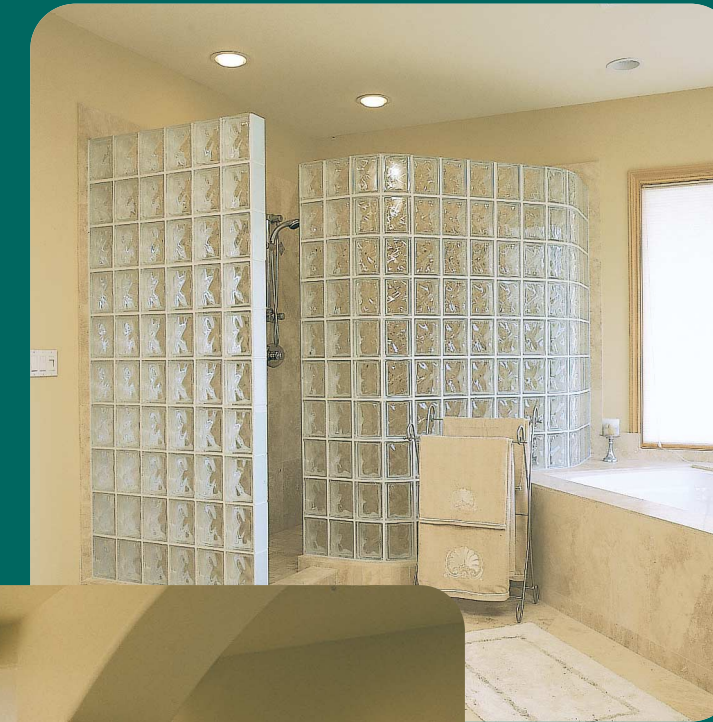


www.sierraglassblock.com

8230 Belvedere Avenue, Suite E
Sacramento, California 95826
Phone- 916-455-5507
Fax- 916-455-5587
Toll Free- 800-775-5507

Turning Your Dream Shower Into A Reality

Abbott Custom Homes Spec home
Decora® Pattern Arque® radius blocks used to make 45 angles. Style cap finished ends.



DLB Construction
Spec Home

Decora® Pattern
Soft Radius
6x8 Straight Block
with tapered joints

A Fun Part Of Your Construction Project And A Great Start To Every Day

Decora® Pattern 4 x 8 straight Block Radius wall Style Cap End Detail

D.C. Granger Inc.
Decora® Patterns
45 Angle Tridron® Block



Home Owner
Managed Project

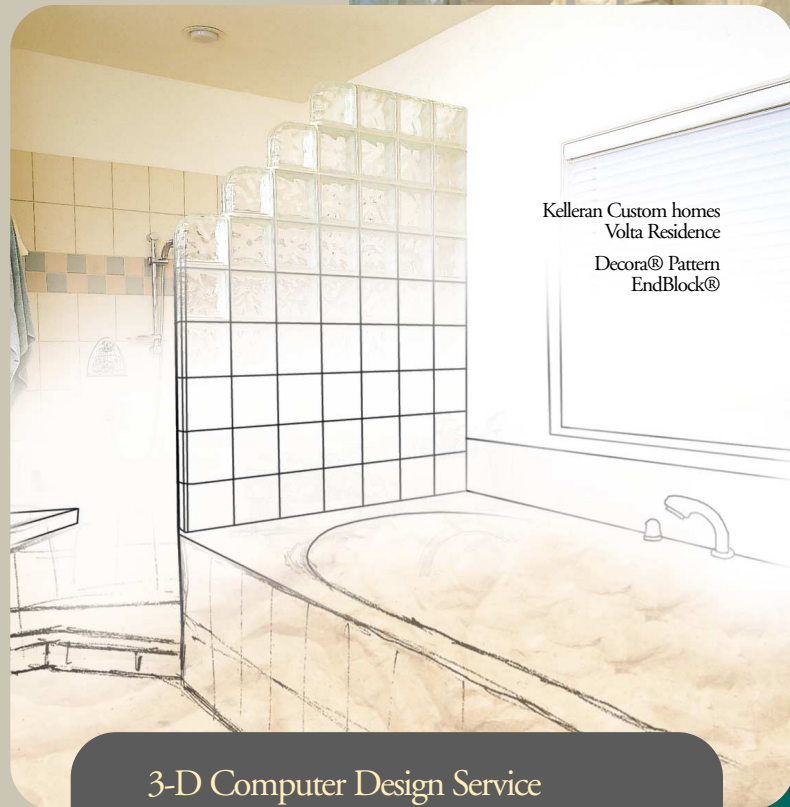
Decora® Pattern
27" Radius Arque® Block
& 6 x 8 Straight Block



Home Owner Managed Project
Decora® Pattern 45 Angle "Tridron®" Soft radius 6x8 block



Chaffey Homes
Spec home/ Sterling Woods
Decora® Pattern 8 x 8 block &
90° Hedron® block



Kelleran Custom homes
Volta Residence
Decora® Pattern
EndBlock®

3-D Computer Design Service

Our staff will help transform your rough sketch, existing plan, or empty space into a workable 3 dimensional plan for your approval

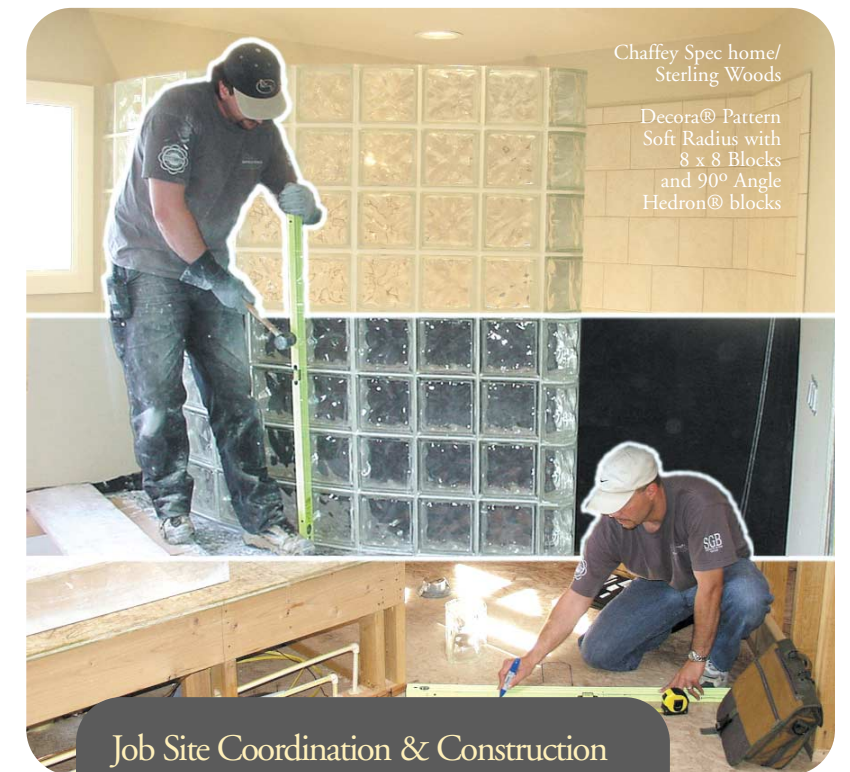


Chaffey Homes
Spec Home/ The Highlands Decora® Pattern
90° Angle Hedron® Block



Home Owner Managed Project

Icescapes® Pattern
12" Radius Arque® Blocks



Chaffey Spec home/
Sterling Woods

Decora® Pattern
Soft Radius with
8 x 8 Blocks
and 90° Angle
Hedron® blocks

Job Site Coordination & Construction

Each shower project gets a visit from our project manager to do layout and subgrade coordination. Our award winning crews construct your dream shower to it's highest possible quality.

All photos
courtesy of
Seattle Glass Block